

MTV2000 VSI MODULE



STANDARD SUPPLY

MTV2000 Module

- ▶ Terex[®] Canica VSI2000SD single drive vertical shaft impact crusher with squirrel cage electric motor of 300 hp (225 kW) including drive, drive guard, and mounting frame
- ▶ VSI crusher with
 - Heavy-duty bearing pedestal
 - Externally adjustable feed tube system
 - Vibration shut off switch
 - Belt guard
 - Modular oil system
- ▶ Painted steel structure including walkways, stairs and guard rails
- ▶ Repositionable bracing permits 2 locations for discharge conveyor
- ▶ Crusher discharge chute with dust enclosure
- ▶ 4 emergency stop stations
- ▶ All electric plant

Electricals

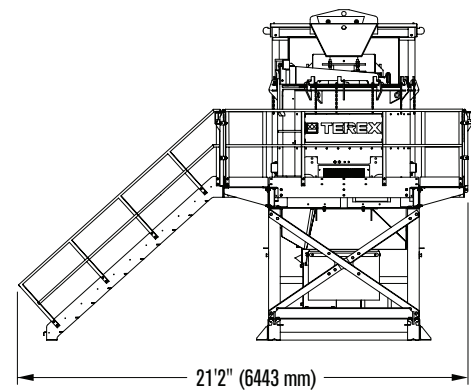
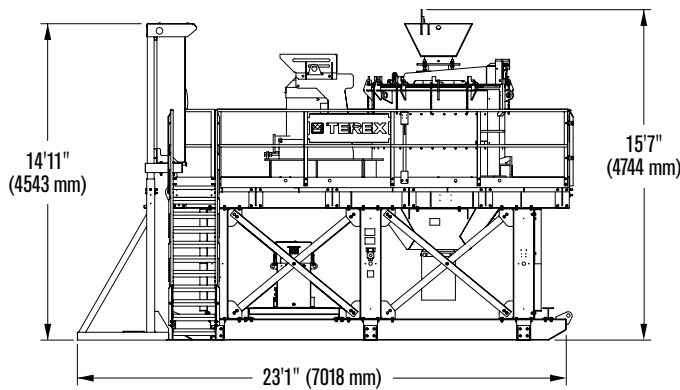
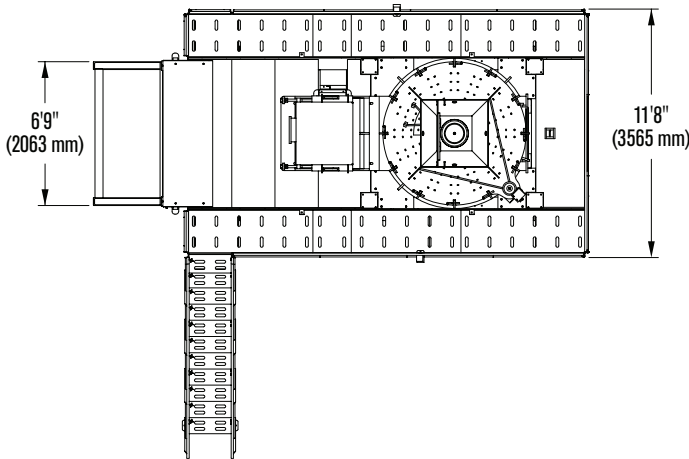
- ▶ VSI unit electricals including cable kit, standard plant set for 415V/50Hz
- ▶ Robust weather-protected control panel with user-friendly controls

Crusher Chamber Configuration

- ▶ Rock On Rock (ROR) - maximum feed size 1.5" (40 mm)

SPECIFICATIONS

Terex® Minerals Processing Systems MTV2000 VSI Module



Rock On Rock (ROR) crushing chamber handles all rock types including high abrasives. This configuration produces consistent, well shaped material.

VSI Model	Terex® Canica VSI2000SD
Maximum Feed Size (longest dimension, ROR crushing chamber)	1 1/2" (40 mm)
Horsepower	300 hp (225 kW)
Crusher Weight (motor not included)	24220 lbs (10990 kg)

www.terexmps.com

Effective Date: January 2016. Product specifications and prices are subject to change without notice or obligation. The photographs and/or drawings in this document are for illustrative purposes only. Refer to the appropriate Operator's Manual for instructions on the proper use of this equipment. Failure to follow the appropriate Operator's Manual when using our equipment or failure to act responsibly may result in serious injury or death. The only warranty applicable to our equipment is the standard written warranty applicable to the particular product and sale and Terex makes no other warranty, express or implied. Terex, the Terex Crown design, Works For You, and Canica are trademarks of Terex Corporation or its subsidiaries. All rights are reserved. © 2016 Terex Minerals Processing Systems.

Terex® Minerals Processing Systems ▪ Email MPSales@terex.com ▪ www.terexmps.com
 Europe, Russia, Africa +44 (0) 288 7440 795 ▪ Central Asia, Turkey, Northern Africa +90 312 354 90 90
 Middle East, Eastern Africa, Southeastern Asia +971 4 399 0381 ▪ India +91 4344 302 000 ▪ Malaysia +60 3 5622 6103
 Thailand +66 2 316 4656 ▪ Australia +61 3 8794 4100 ▪ North and South America +1 319 363 3511

Form 26726 A4 (1/16)



WORKS FOR YOU.™