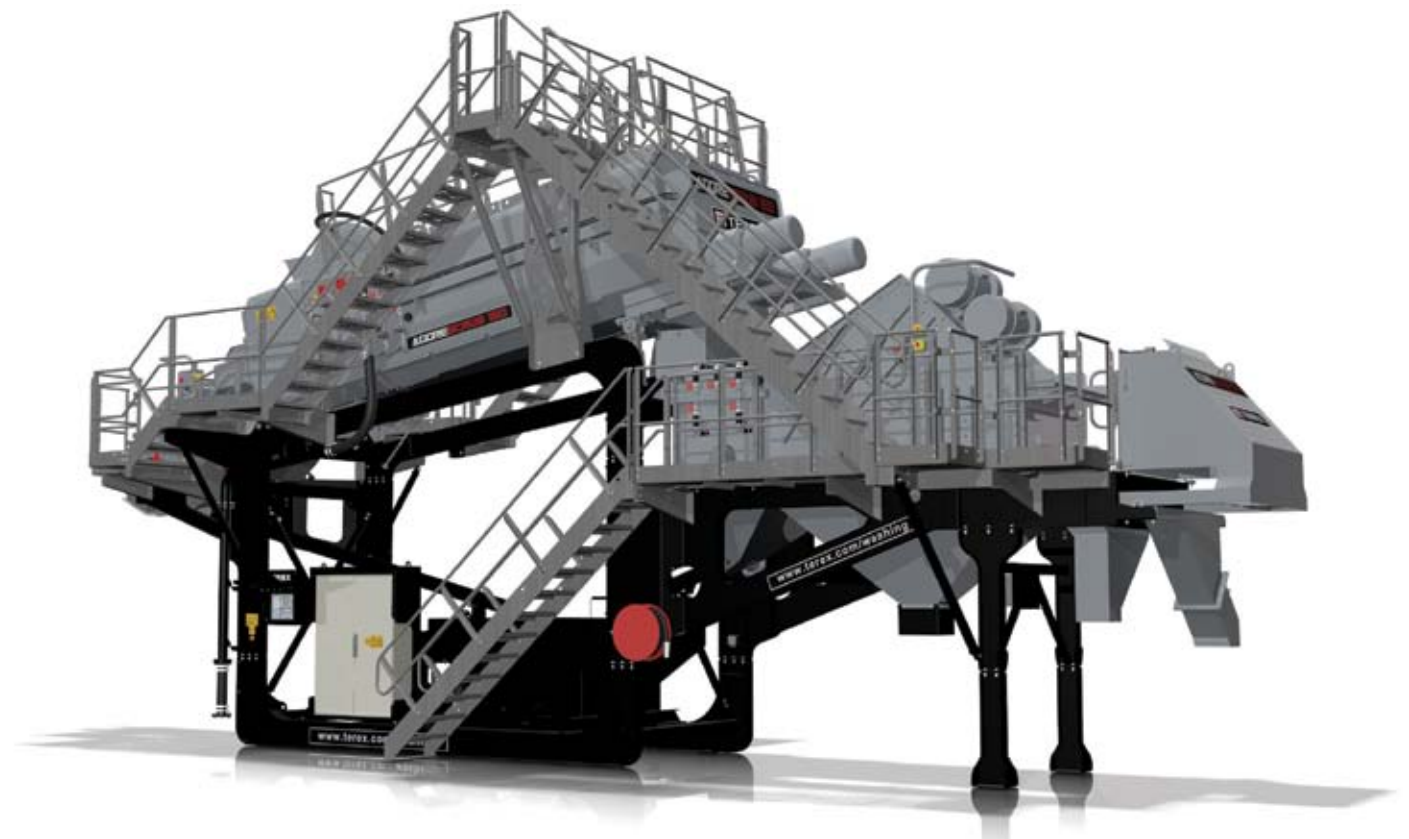


# AGGRES CRUB 150



## FEATURES

- Size, Scrub, Separate
- Designed to produce cleaner material at a faster rate
- Specifically designed to work in the recycling industry, its versatility and design enables it to be easily adapted to work in gravel applications
- Consists of a trough and two spiral axles running counter to one another with interchangeable blades which intensively mix the feed material
- Friction from this process breaks down feed contaminants and allows scrubbed material to be stockpiled
- Ability to integrate with Aggresand™ and other TWS products to process pre-screened material

## FEATURES AND BENEFITS

- Two high output electrical motors driving a gear system, which in turn rotates the two counter-rotating axles, which perform the scrubbing action
- Interchangeable high tensile blades 15/30mm AR and Manganese
- The material forms a bed in the hull, preventing wear in the steel hull
- The lower bearings are fresh water flushed to prevent wear or damage from small particles
- Spiral bush for extended seal life (Patent Pending)
- The machines are fitted with an elevated spray bar system, which constantly adds water to the material. This washes the material and encourages lighter particles to float through the water exit
- Market leading serviceability and access with full walkway access to all major components on machine
- Modular design ensures rapid deployment
- Dead box feeding arrangement which means material on material
- Rubber lined catchboxes and outlet chutes
- Equally at home in natural or recycling applications where clay conglomerates are an issue
- Low water consumption
- Remote greasing to all bearings
- Heavy-duty robust modular construction ideal for rugged operating environments
- High capacity throughput
- Freshwater inlet 3" nipple
- Dewatering screens fitted to either end of the machine
- Specifically designed to work in recycling applications to separate contaminants from saleable material

## APPLICATIONS

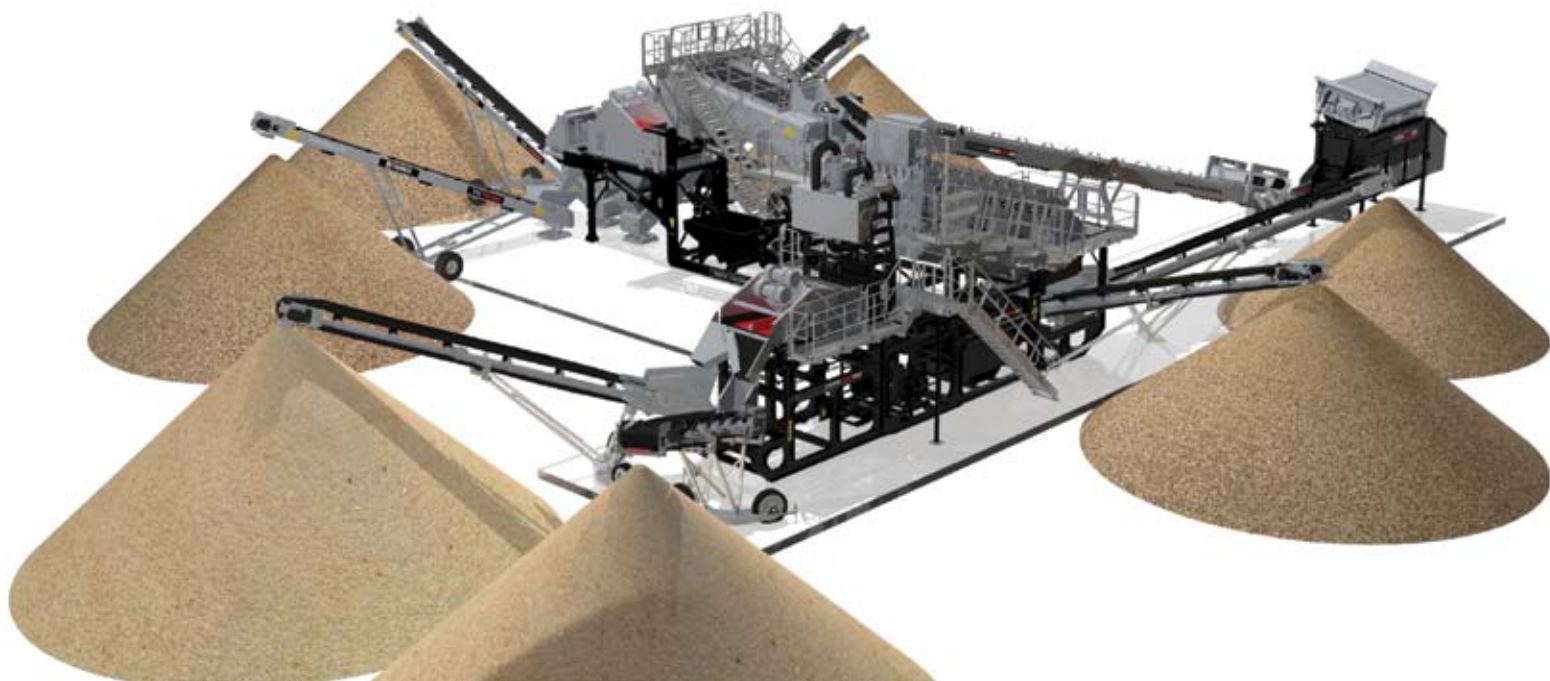
- Gravel
- Crushed material
- Recycled / demolition material
- Most kinds of material that needs washed/scrubbed
- Iron ore
- Coal

## OPTIONS

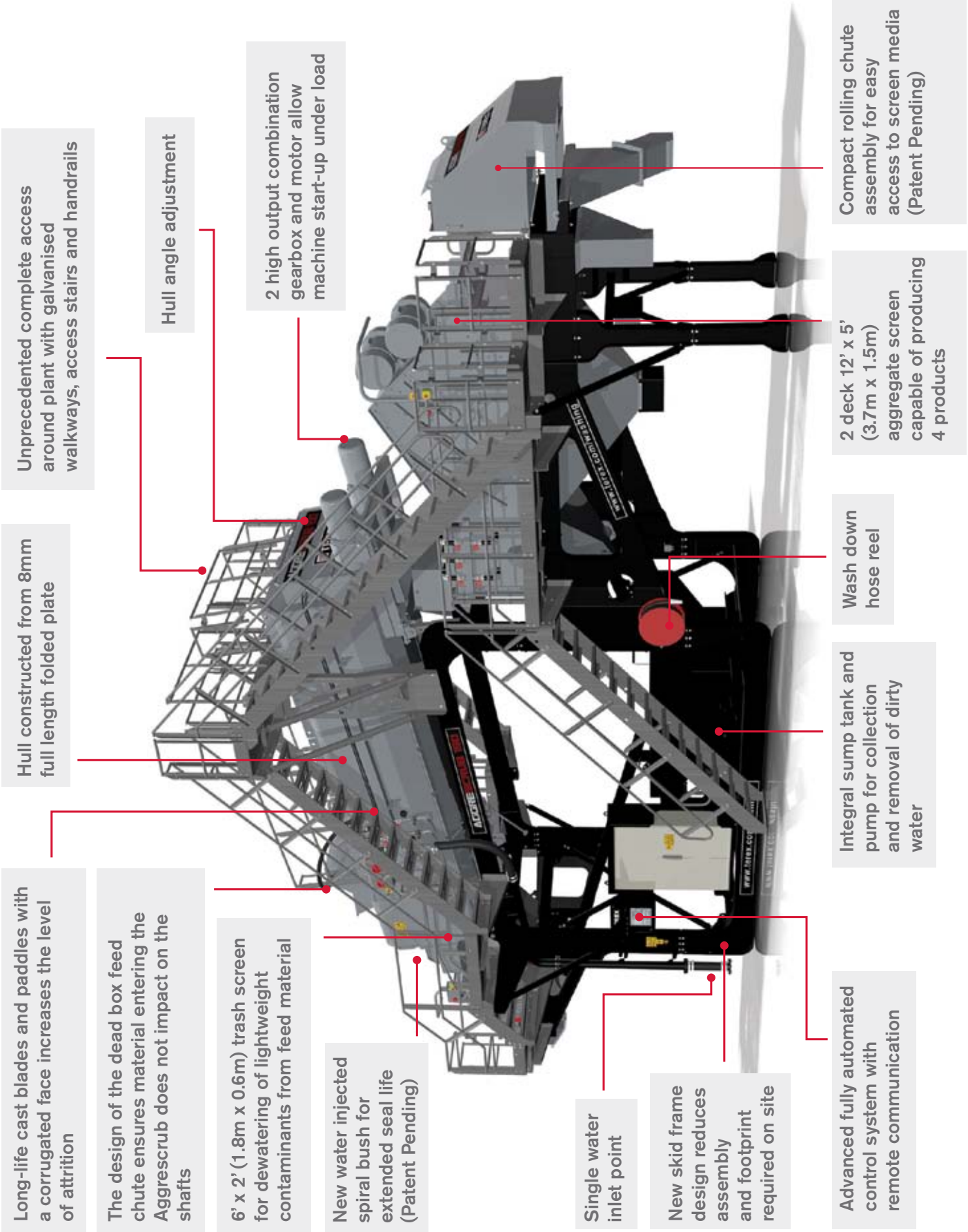
- 12 x 5 2 deck (3.7m x 1.5m) sizing screen delivers 3 products (120R)
- 8 x 4 (2.4m x 1.2m) dewatering screen removes excess water from material before final screening (specific to PS 120R only)
- 6 x 2 (1.8m x 0.6m) dewatering screen separates lighter particles from the water on which it is floating

## SIMPLE, SEAMLESS INTEGRATION

The Aggresand™ and Aggrescrub™ have the ability to combine to provide the perfect solution for customers dealing with recycling applications as well as pit owners with high agglomerations of clay.



# AGGREGSCRUB 150 KEY FEATURES



Long-life cast blades and paddles with a corrugated face increases the level of attrition

The design of the dead box feed chute ensures material entering the Aggregscrub does not impact on the shafts

6' x 2' (1.8m x 0.6m) trash screen for dewatering of lightweight contaminants from feed material

New water injected spiral bush for extended seal life (Patent Pending)

Single water inlet point

New skid frame design reduces assembly and footprint required on site

Advanced fully automated control system with remote communication

Hull constructed from 8mm full length folded plate

Unprecedented complete access around plant with galvanised walkways, access stairs and handrails

Hull angle adjustment

2 high output combination gearbox and motor allow machine start-up under load

Wash down hose reel

Integral sump tank and pump for collection and removal of dirty water

2 deck 12' x 5' (3.7m x 1.5m) aggregate screen capable of producing 4 products

Compact rolling chute assembly for easy access to screen media (Patent Pending)

## HULL

Two high output electrical motors driving two counter rotating axles, which perform the scrubbing action

3 blades options available: 15mm AR, 30mm AR or Manganese

Fresh water flushed bearings to prevent wear or damage

Elevated spray bars

Built in agitation system

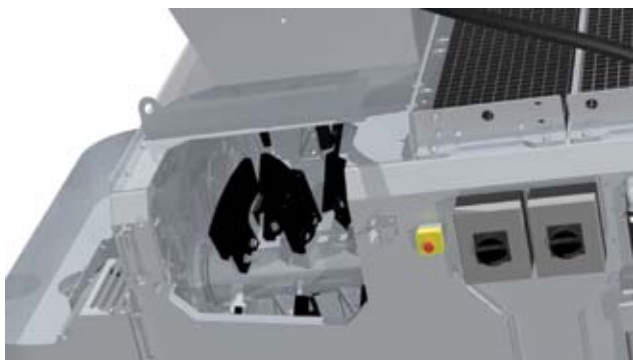
Integral lifting points

Inspection hatches at inlet to clear debris

Flowforge complete with handrail, provides a safe working environment



One piece folded hull design.



Market leading access and serviceability. Gull wing door for side access to bearing, outlet etc.

## BLADE/PADDLE

Option 1: 15mm AR 500

Option 2: 30mm AR 500

Option 3: Manganese

## FRAME

Webframe modular chassis

Bolt together construction for ease of transport

Heavy duty steel construction

Easy access to serviceable areas

Unrivalled walkway access

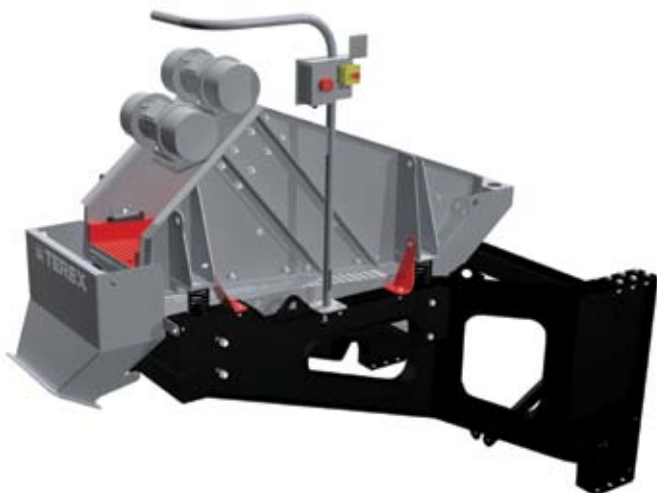


Galvanised frame



## 6 X 2 TRASH SCREEN OPTION

- Efficient dewatering of lights including plastic and organics.
- Strategically positioned to feed even high sided skips



## 12 X 5 AGGREGATE SCREEN 2 DECK OPTION

- Independent spray bars, 3 top deck, 2 bottom deck
- Rinse scrubbed material and size into 3 stockpiles
- High frequency vibrating screen
- Washes off any remaining grit after scrubbing



## LOGWASHER

HULL MATERIAL	8mm
GEARBOXES	22Kw
HULL ANGLE	Variable 8-10 degrees
WATER FILTER FOR INJECTION	1" inline filters
SHAFT SEAL	Stuffing box type gland seal
WATER INJECTION	Feature

## CHASSIS

MAIN FRAME	Modular web & flange
WALKWAYS	Fully galvanised
WALKWAY ACCESS	On both sides of hull, screens and top of hull
HANDRAILS	On walkways and around top of hull
LIGHTS	Fitted to chassis (option)
12 X 5 AGGREGATE CHUTE OPTION	As roll away

## PIPE WORK

SUPPLY	Single Point
WASH DOWN HOSE	Optional
PLUMBING	Factory pre plumbed

## WASHBOX

FIXED	
SPRAYBAR	3 top deck / 2 bottom deck
SPREADER PLATE	Dead box

## SUMP TANK OPTION

PUMP	100/100 centrifugal pump
MOTOR	7.5Kw
WATER LEVEL REGULATION	Non-mercury float switch to prevent pump running dry

## ELECTRICS

WIRING	Fully wired and plugged
CONTROL PANEL ENLCLOSURE	1.8 x 1.2m
HMI PANEL	Option

## ELECTRIC MOTOR SIZES

LOGWASHER MOTOR	22Kw
12 X 5 MOTOR	6.63Kw
6 X 2 MOTOR	2.69Kw
SUMP PUMP MOTOR	7.5Kw

## WALKWAYS

- Unprecedented access and servcability
- Fully galvanised
- Walkway round both sides of machine
- Ergonomic handrail design
- 600mm (24") wide



## CONTROL SYSTEM

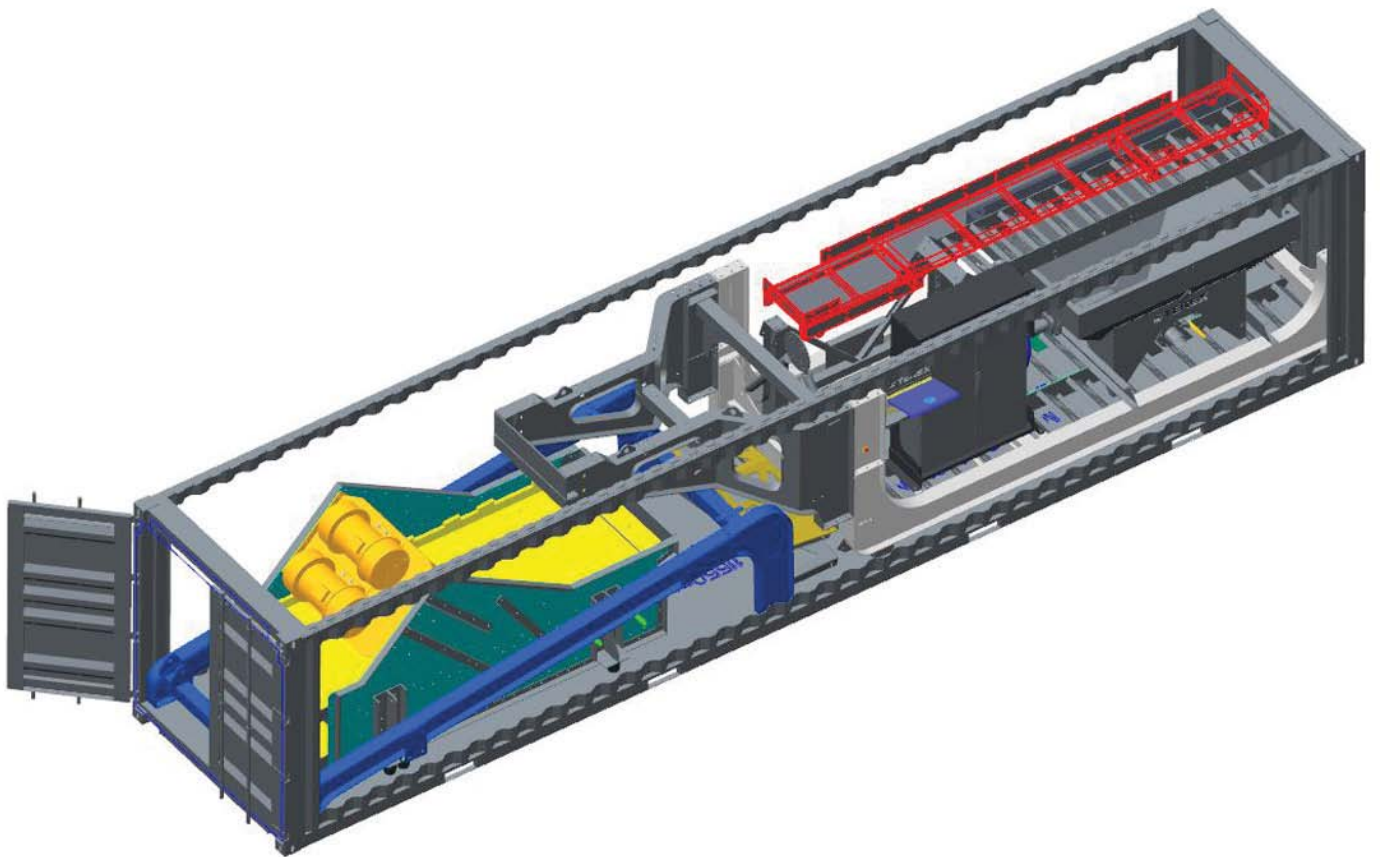
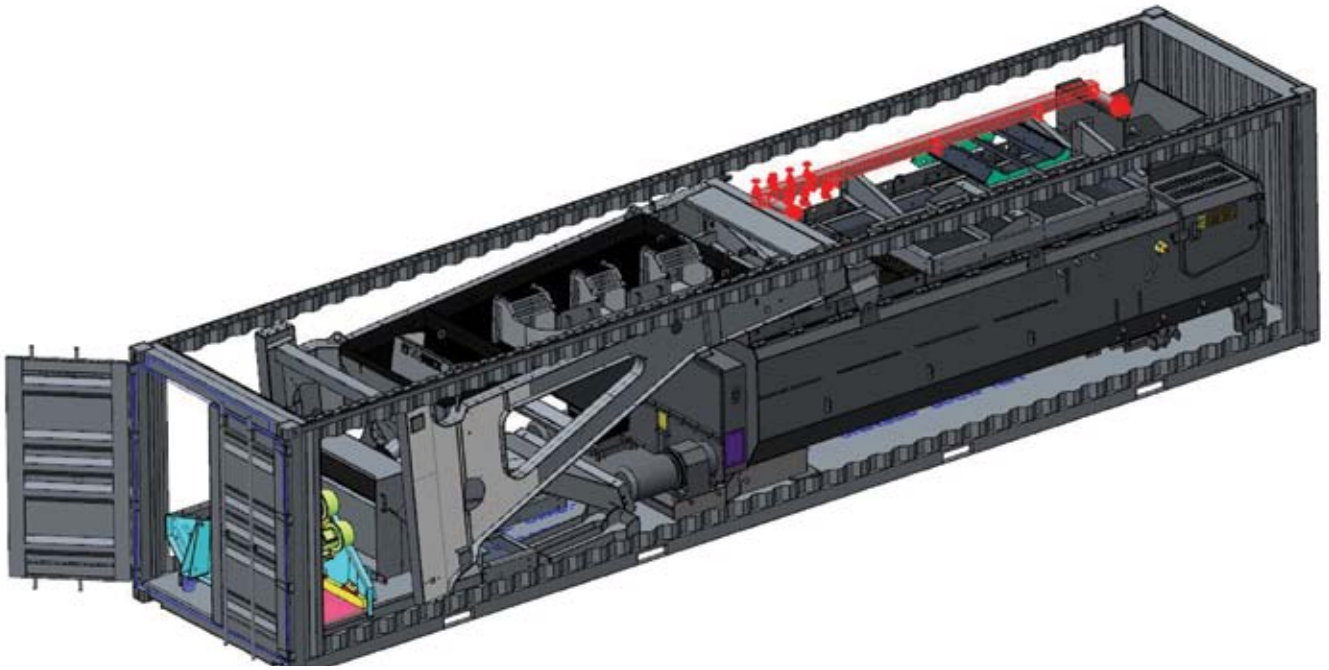
- Robust full color graphic HMI (Human Machine Interface)
- Automated Start / Stop sequence of all plant items
- Automated sequence shutdown on fault detection
- All motors load currents and voltages
- Integration with other plants (eg. Aggresand)



## OPTIONS

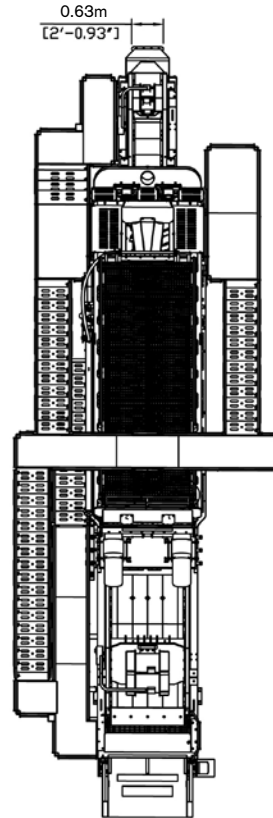
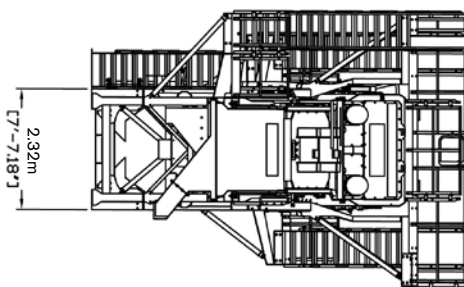
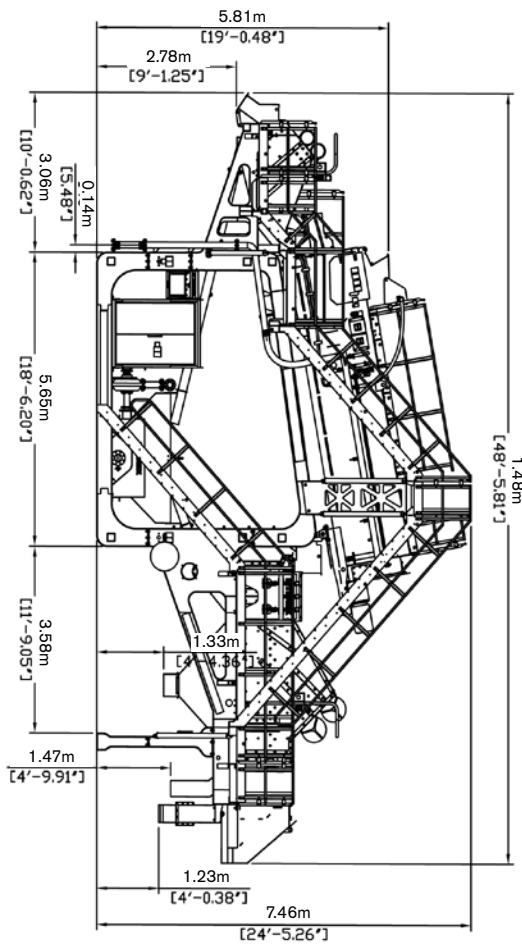
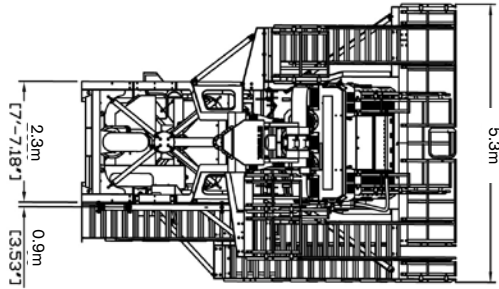
- Telemetry System with remote communication of all alarms and status such as TPH via text message and / or email (can be tailored to exact requirements)

# TRANSPORT CONTAINERS



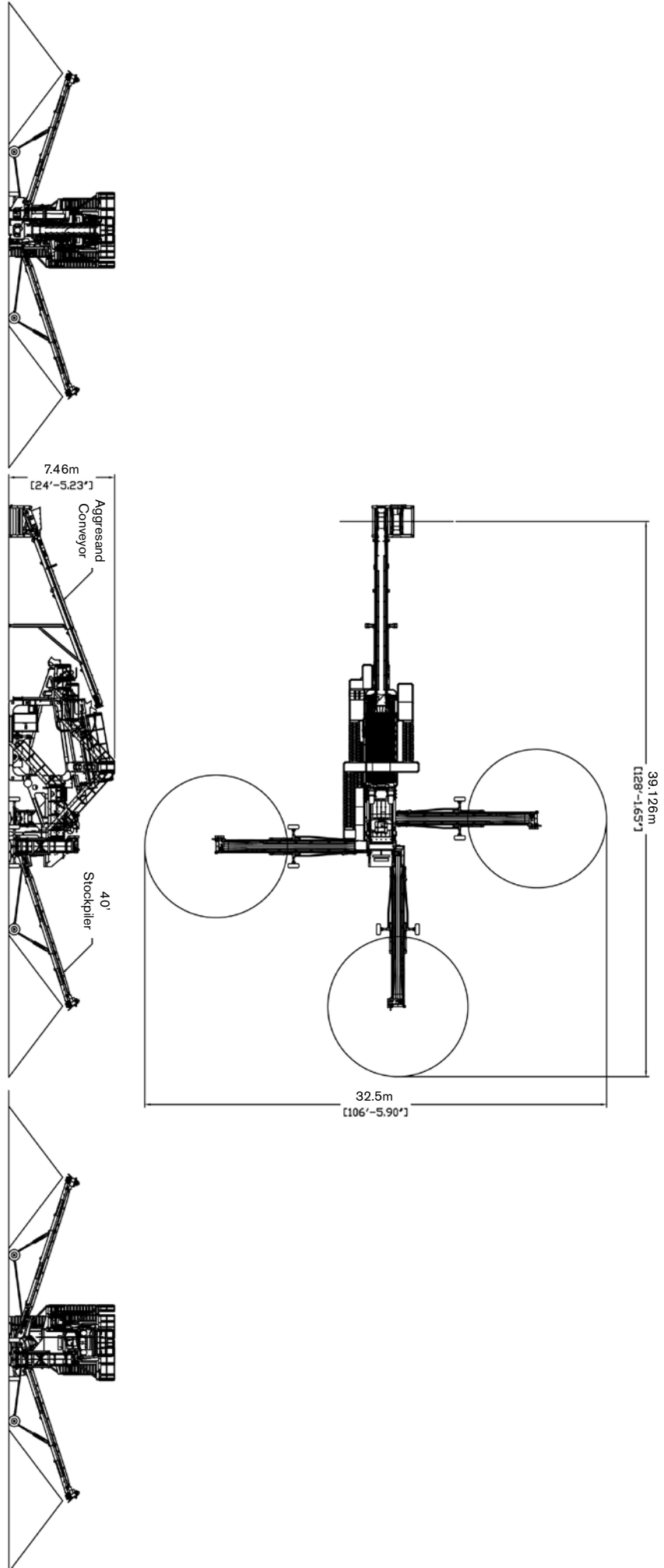
# DIMENSIONS

## AGGREGSCRUB 150





# AGGRESKRUB 150



## TEREX WASHING SYSTEMS CONTACT DETAILS

### Dungannon Site

200 Coalisland Road  
Dungannon  
Co. Tyrone  
Northern Ireland  
BT71 4DR

Tel: +44(0) 28 8771 8500

Email: [TWS.sales@terex.com](mailto:TWS.sales@terex.com)

[www.terex.com/washing](http://www.terex.com/washing)

YouTube

Check out Terex Washing System:  
on YouTube: [www.youtube.com/te](http://www.youtube.com/te)



[www.facebook.com/TerexCorpora](http://www.facebook.com/TerexCorpora)



Effective Date: May 2014 Product specifications and prices are subject to change without notice or obligation. The photographs and/or drawings in this document are for illustrative purposes only. Refer to the appropriate Operator's Manual for instructions on the proper use of this equipment. Failure to follow the appropriate Operator's Manual when using our equipment or to otherwise act irresponsibly may result in serious injury or death. The only warranty applicable to our equipment is the standard written warranty applicable to the particular product and sale and Terex makes no other warranty, express or implied. Products and services listed may be trademarks, service marks, or trade names of Terex Corporation and/or its subsidiaries in the USA and other countries. All rights are reserved. Terex is a registered trademark of Terex Corporation in the USA and many other countries. © 2010 Terex Corporation.



**WORKS FOR YOU.™**