

WHEELED VSI PLANT WV2000



Standard Supply

- ▶ VSI Crusher Model Terex® Canica 2000 ROR with squirrel cage electric motor of 225 kW.
- ▶ Patented "Hydralid" hydraulic lid lifter, externally adjustable feed tube system, heavy-duty motor mount with motor cover and adjustable take-ups.
- ▶ Open lid safety lock.
- ▶ Shut-off switches detect: Low oil pressure, excessive vibration (vibration switch), open lid.
- ▶ Chassis walk way assembly with ladder - 1 no.
- ▶ Walkway platforms around the screen (LH, RH and rear side) - 1 no. each.
- ▶ Terex 4 deck vibrating screen 5' x 14', belt driven by squirrel cage electric motor of 15 kW.
- ▶ Jacks with handles - 2 nos.
- ▶ Emergency stops - 4 nos.
- ▶ Mounted on chassis with removable type double axle bogie with tail lights.
- ▶ All electric plant.

Electricals

- ▶ VSI unit electricals including cable kit, control panel and operator panel (standard plant set for 415V/50Hz) weather protected, robust control panel houses user-friendly controls.

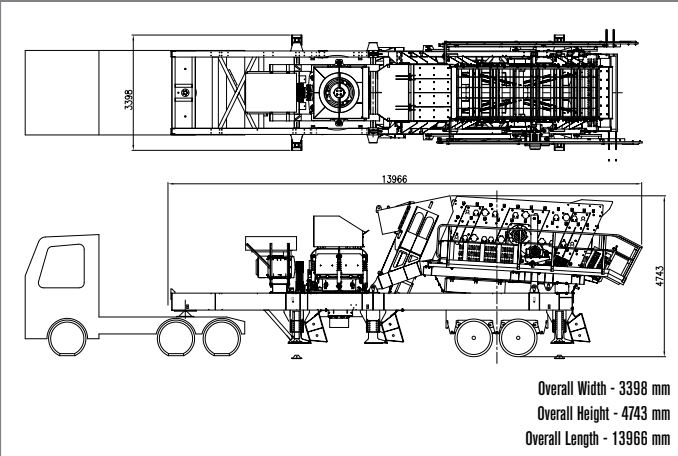
Crusher Configuration

- ▶ ROR (rock on rock).

SPECIFICATIONS

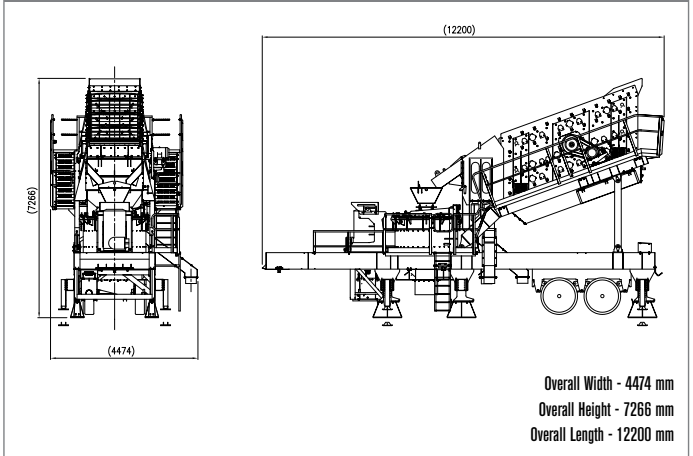
Terex® Minerals Processing Systems WV2000

TRANSPORT MODE



Overall Width - 3398 mm
Overall Height - 4743 mm
Overall Length - 13966 mm

OPERATING MODE



Overall Width - 4474 mm
Overall Height - 7266 mm
Overall Length - 12200 mm

Max Feed Size	40 mm
Total Connected Load	244 kW
Weights	
Chassis (complete with crusher and screen)	33 tons
Crusher	10.9 tons

* The capacity are based on dry, free flowing material with a Crushing Work Index of 16 and a bulk density of 1600 kg/cu m (100 lbs/cu ft).
The data requires careful interpretation for particular materials and applications as machine capacity can be greatly affected by material properties and method of feeding.

Local Contact:

www.terexmps.com

Effective Date: February 2014. Product specifications and prices are subject to change without notice or obligation. The photographs and/or drawings in this document are for illustrative purposes only. Refer to the appropriate Operator's Manual for instructions on the proper use of this equipment. Failure to follow the appropriate Operator's Manual when using our equipment or to otherwise act irresponsibly may result in serious injury or death. The only warranty applicable to our equipment is the standard written warranty applicable to the particular product and sale and Terex makes no other warranty, express or implied. Products and services listed may be trademarks, service marks or trade-names of Terex Corporation and/or its subsidiaries in the USA and other countries. All rights are reserved. Terex is a registered trademark of Terex Corporation in the USA and many other countries. © 2014 Terex Corporation.

Terex® Minerals Processing Systems
Form 25994 A4 (2/14)

Europe, Russia, Africa +44 (0) 28 82 418 790 • Turkey, Middle East, Northern Africa +90 312 354 90 90 • India +91 4344 302 000
Malaysia +60 3 5631 6199 • Thailand +66 2 316 4656 • Australia +61 3 8551 9300 • North America +1 800 248 3821
Latin and South America +1 989 288 3121



WORKS FOR YOU.™