

STH1440E



Configurations

Item	Parameter
Engine	CUMMINS QSF3.8 STAGE III
Power	93 kw
Gearbox	DANA-367
Axle	DANA 212HY
Tyre	400/80R24
Boom Frame	3 Sections Telescopic Boom
Steering Drive Model	4WD/3 Steering Models
Fuel Tank Capacity	150 L

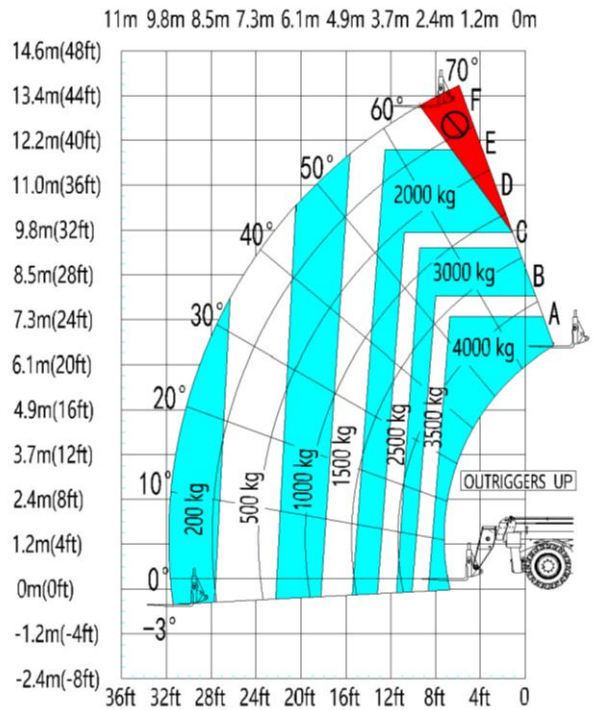
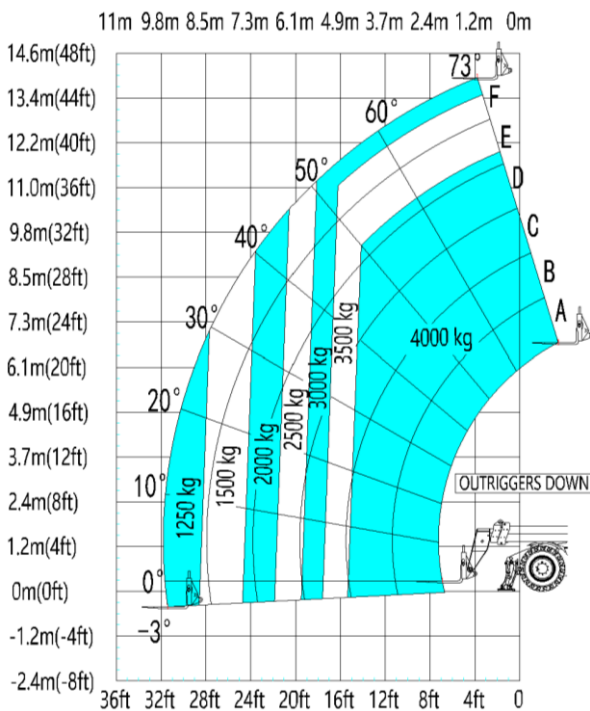
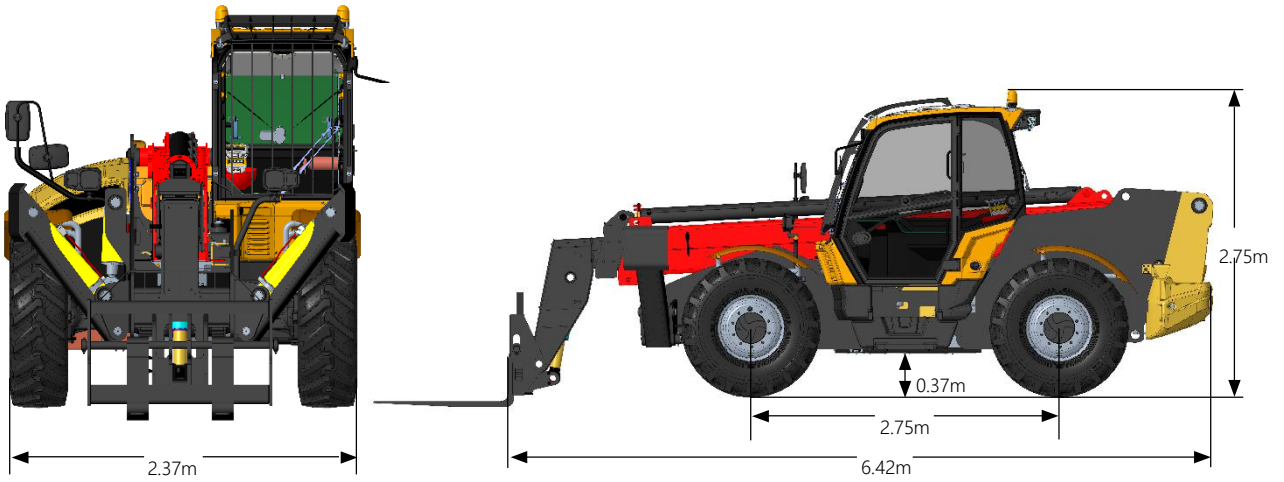
Dimension

Item	Unit	Parameter
Weight	kg	10980
L*W*H	mm	6165×2426×2595
Wheel Base	mm	2750
Minimum Turning Radius	m	3.85
Minimum Ground Clearance	m	0.37
Frame Leveling Angle	°	±10
Maximum Drive Speed	km/h	27
Maximum Traction	kN	88

Performance

Item	Unit	Parameter
Rated Capacity	kg	4000
Lift Capacity at Maximum Height	kg	3000
Lift Capacity at Maximum Reach	kg	1250
Lift Capacity at Maximum Height (with outrigger)	kg	1500
Lift Capacity at Maximum Reach (with outrigger)	kg	200
Lifting Capacity	m	13.86
Maximum Forward Reach	m	9.7
Maximum Elevation Angle	°	70
Maximum Depression Angle	°	-3
Maximum Lifting Speed	s	18/13
Maximum Descending Speed	s	15.5/13
Fork Arm Extend Speed	s	5
Fork Arm Retract Speed	s	5

STH1440E



SANY MARINE HEAVY INDUSTRY CO., LTD.

SANY Industrial Park, Gaolan Port Economic and Development Zone,
Zuhai, Guangdong, China

Tel +86-756-7266963 Service +86-4008-87-8318

Materials and specifications are subject to change without prior notice. Featured machines in photos may include additional equipment.
© 2021 SANY. All Rights Reserved.

